



ALTITUDE^o
COAST

CORPORATE
EVENTS



An Al-Fresco Event Destination with Unparalleled Beachfront Views

Boasting sensational views of the sea, this day-to-night destination houses a luxurious day club and a progressive 'land and sea' restaurant — perfect for your upcoming corporate or social function.

Restaurant

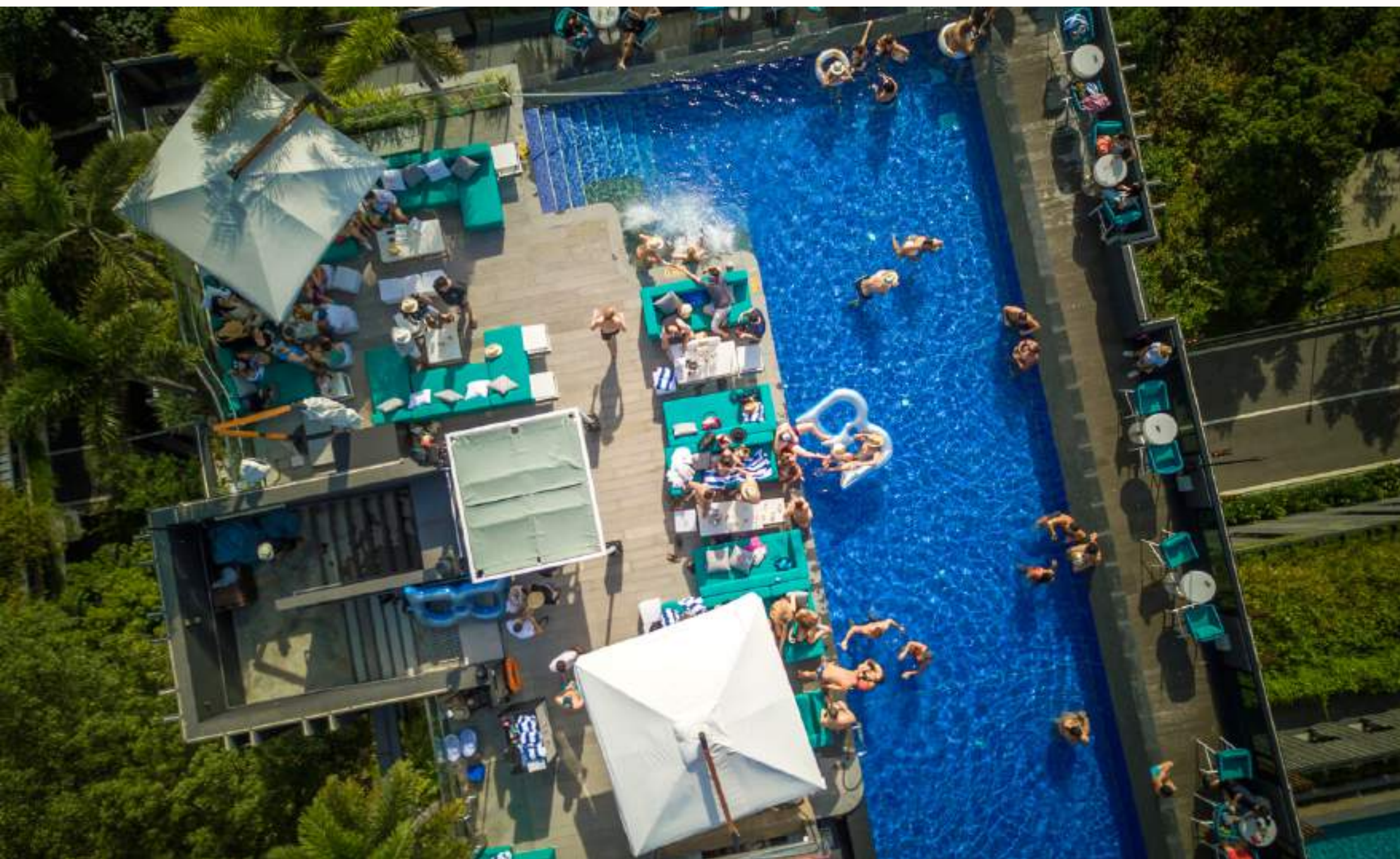
With its vaulted ceiling and sleek aesthetics, Sol & Ora is the absolute embodiment of elegance and class. The intimate dining hall holds up to 170 guests and provides an ideal setting for your next corporate event.





ROOFTOP TERRACE & POOL

Adjacent to the restaurant, the al-fresco rooftop is an outdoor oasis lined with palm trees and offers unparalleled views of the Sentosa coastline. The open and versatile space can accommodate up to 120 guests.



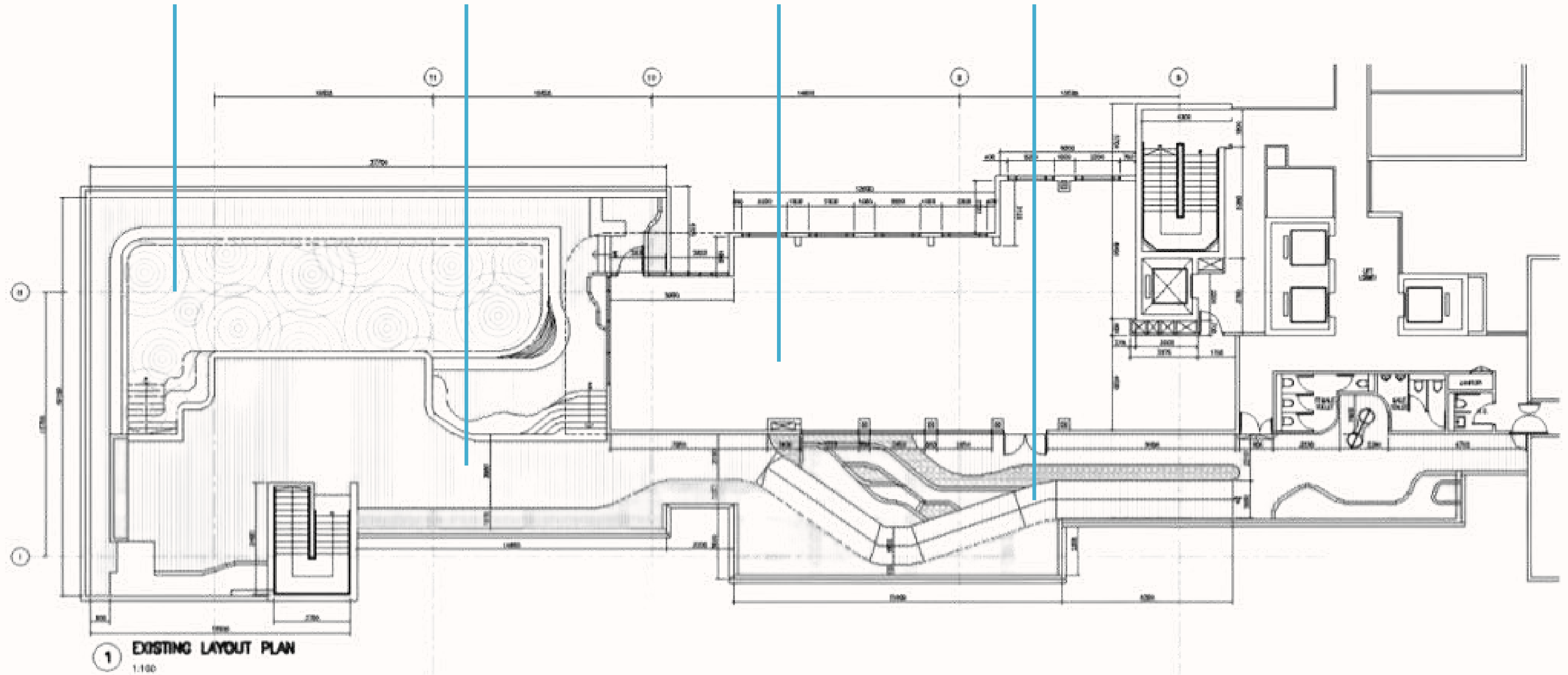
FLOOR PLAN

Infinity Pool

Rooftop Terrace:
Ocean View

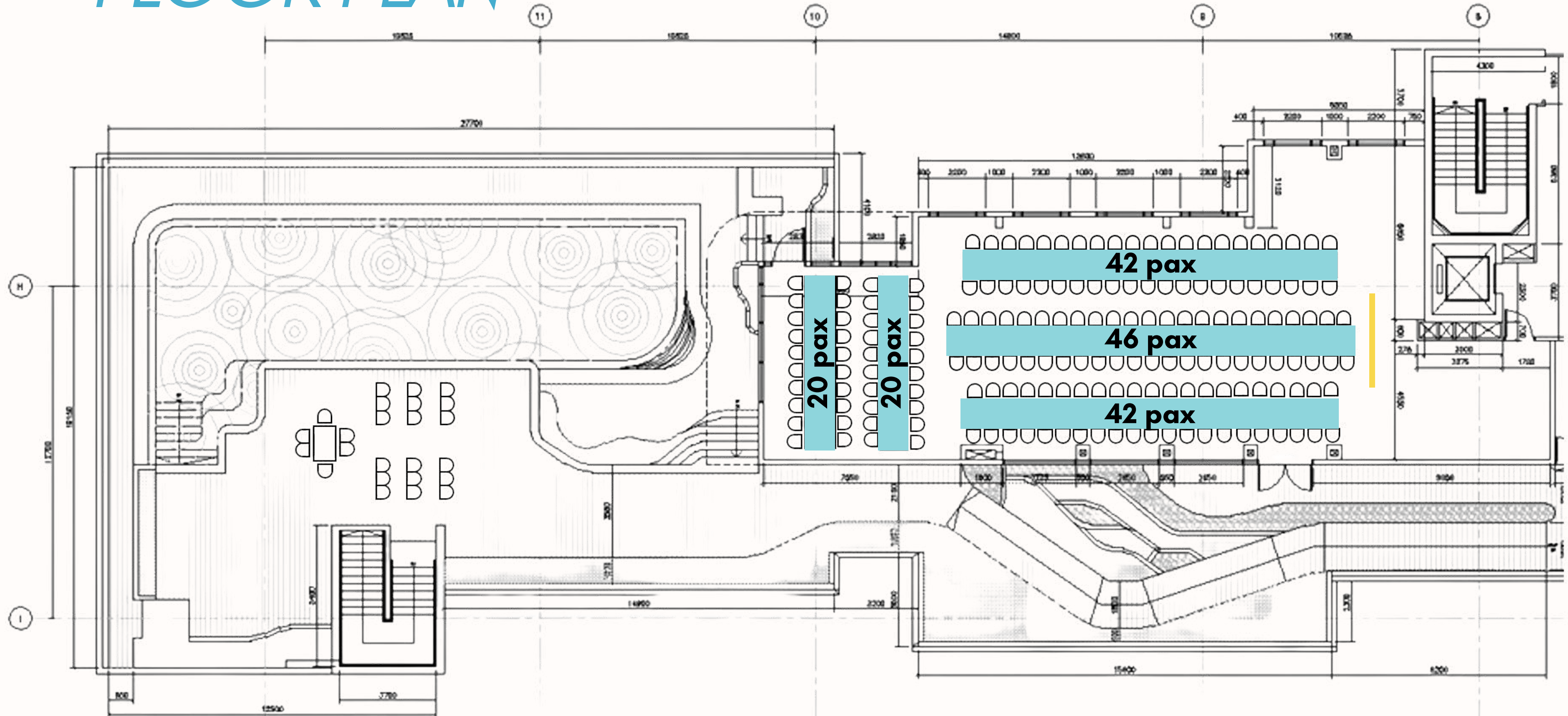
Restaurant

Terrace:
Island View



FLOOR PLAN

— Projector Screen



1 EXISTING LAYOUT PLAN
1:100



SOL & ORA

**“Mediterranean cuisine
with Latin vibes”**

Sol & Ora shines the light on four classical cuisines. Like the synergy between the Sun and Shore, it brings together dishes from the Latin-Mediterranean region – Italy, France, Greece and Spain, in a seamless menu of timeless recipes – from sunrise to sundown.





EVENTS & SERVICES

Types of Events

Corporate Functions | Company Lunch / Dinner |
Product & Brand Launches | Dinner & Dance

Entertainment

Acclaimed DJs | Live Bands | Emcees | Performers

Food & Beverage

Customisable Menus (Buffet/Plated) | Live Food Stations |
Canapes | Cocktail Stations | Drinks Packages

Venue Styling

Themed Decorations | Event Props | Floral Styling

Events Management

Programme Planning | Events Coordination | Entertainment Line Up

FACT SHEET

Location & Parking

10 Artillery Avenue, #07-01, Singapore 099951

Parking is available on-site at The Outpost Hotel

How To Get Here

From Harbourfront Station by Sentosa Express Monorail

- Head to Vivocity Lobby L on level 3
- Board the monorail and alight at Imbiah station (2 stops away)
- The Outpost Hotel Sentosa is a 5-minute walk from Imbiah station
- Proceed to Level 7, rooftop

Capacity

Restaurant

Seated: Up to 170 guests

Standing: Up to 250 guests

Outdoor

Deck Only: Up to 60 guests

Full Outdoor: Up to 120 guests

Amenities & Facilities

Full Service Bar, AV Equipment, Projector & Screen, Restrooms





CORPORATE FUNCTIONS

Our versatile spaces can be transformed to suit your event requirements. Whether it's a dinner and dance, business meeting or a cocktail networking session, our team of experienced planners are on hand to deliver the event of your vision!





COMPANY RETREATS

Reward your employees with a day of glorious sunsets, epic pool parties, mid-summer day brunches and mesmerising views of the sea. These and more without having to leave Singapore at all.

Distinguished Clientele

1-Altitude Coast is an upcoming lifestyle destination by 1-Group - the F&B, lifestyle & hospitality group that operates a portfolio of iconic restaurants, cafes, bars, and club in Singapore.

Over the decade, we have hosted countless celebrations and events, and continues to be the maker of great memories.





CONTACT

10 Artillery Avenue, Level 7
Singapore 099951

Telephone: +65 8879 8765

Email: enquiry@1-altitudecoast.sg